

ST JxxxxWS4: 3-way, 4" (DN100)

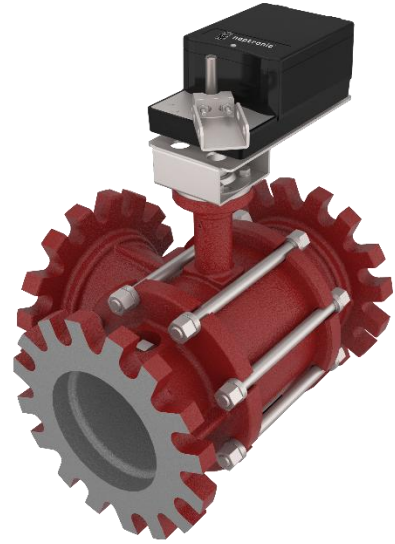
ST KxxxxWS4: 3-way, 5" (DN125)

ST LxxxxWS4: 3-way, 6" (DN150)

## Description

The 3-way actuated flange control ball valve provides digital or analog control of hot or chilled water systems that contain up to 50% glycol.

Each unit is comprised of a rotary actuator and linkage assembly coupled to a valve body that offers positive close off and low torque. The range of valve sizes are from 4" (DN100) to 6" (DN250) with a close-off pressure of 70 PSI [483 kPa].



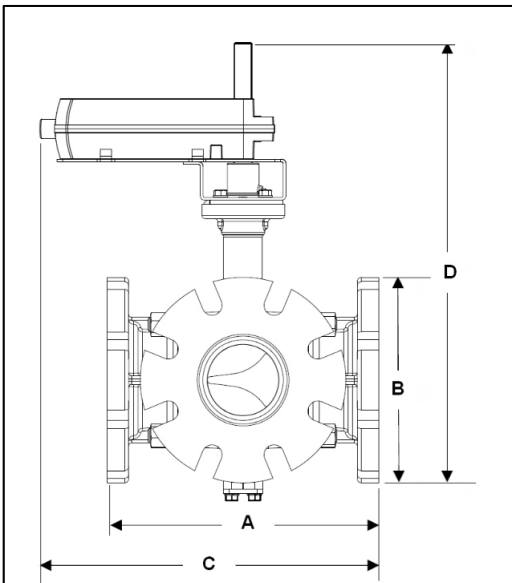
## Models

Size	3-Way Models	Cv	Kv
4" (DN100)	ST J0910WS4	91	79
	ST J1180WS4	118	102
	ST J1520WS4	152	132
	ST J1970WS4	197	170
	ST J2540WS4	254	220
5" (DN125)	ST K1440WS4	144	125
	ST K1850WS4	185	160
	ST K2400WS4	240	208
	ST K3090WS4	309	268
	ST K4000WS4	400	346
6" (DN150)	ST L2080WS4	208	180
	ST L2680WS4	268	232
	ST L3460WS4	346	299
	ST L4410WS4	441	381
	ST L5770WS4	577	499
	ST L6500WS4	650	562

### Technical Data

Specification	All Models
Actuator Compatibility	All Neptronic T (for 4", 5" [DN100, DN125] valves) and R (for 6" [DN150] valves) series actuators
Sizes	4" to 6" [DN100 to DN150]
Range Cv [Kv]	91 to 650 [79 to 562]
Valve Flow Type	Equal Percentage
Static Pressure	240 PSI [1655 kPa] at 250°F [121°C]
Maximum Pressure Differential	35 PSI [241 kPa]
Maximum Close-Off Pressure	70 PSI [483 kPa]
Body Material	Cast Iron ASTM A395, 60-40-18
End Connections	ANSI Class 125
Stem	Stainless Steel
Stem Seals	EPDM O-Rings
Ball Valve	Stainless Steel
Ball Seals	Teflon Seals
Angle of Rotation	0-90°
Leakage	Bypass port has ANSI Class 3 Leakage Rate when valve is in straight through position.

### Dimensions



Size	A	B	C	D	Width	Weight
4" [DN100]	11.9" (302mm)	9" (229mm)	14.3" (363mm)	19.4" (493mm)	10.5" (267mm)	75 lbs (34 kg)
5" [DN125]	13.9" (353mm)	10" (254mm)	15.3" (389mm)	20.3" (516mm)	12" (305mm)	90 lbs (41 kg)
6" [DN150]	15.9" (404mm)	11" (279mm)	16.3" (414mm)	21.4" (544mm)	13.4" (340mm)	105 lbs (48 kg)



Recycling at end of life: please return this product to your Neptronic local distributor for recycling. If you need to find the nearest Neptronic authorized distributor, please consult [www.neptronic.com](http://www.neptronic.com).